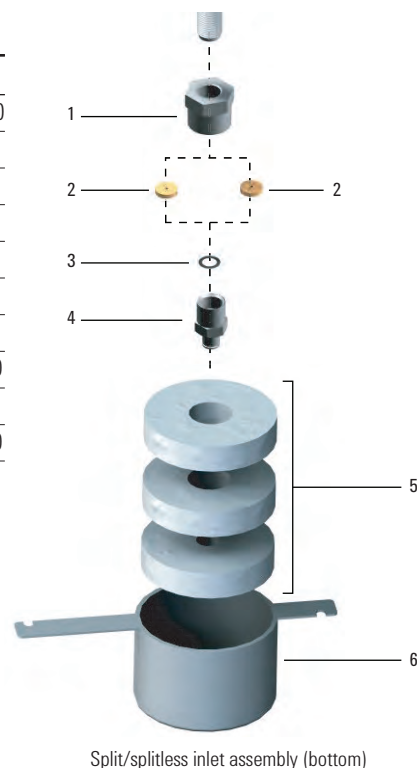
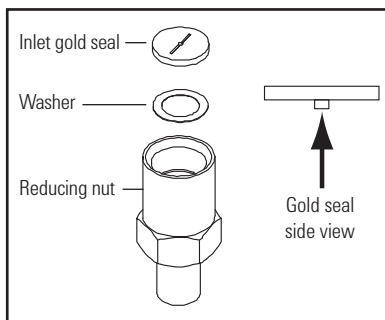


7890/6890/6850 Split/ Splitless Inlet Supplies (Bottom)

Item	Description	Unit	Part No.
1	Inlet heater weldment retaining nut		G1544-20590
2	Gold plated inlet seal kit with washer		5188-5367
	Certified gold plated seal kit, includes washer	10/pk	5190-2209
	Ultra Inert gold plated seal with washer		5190-6144
	Ultra Inert gold plated seal with washer	10/pk	5190-6145
	Gold plated seal with cross, split only		5182-9652
3	Washers, 0.375 od		5061-5869
4	Reducing nut for split/splitless inlet		18740-20800
5	S/SL insulation kit, 3 pieces		5188-5241
6	Cover, lower insulation		19243-00070

Gold seal on the split/splitless inlet



Split/splitless inlet assembly (bottom)



Reducing nut, 18740-20800



Gold plated seal kit, 5188-5367

TIPS & TOOLS

Agilent's Self Tightening column nut eliminates the need for retightening once and for all

This unique, self tightening stainless steel GC column nut delivers a tight connection – without expensive upgrades or adapters – and gives you the advantages of:

- Reliable performance
- Less wasted time
- Ease of use
- Faster maintenance



Learn how to install a column using the Self Tightening column nut, visit www.agilent.com/chem/STnut