

## Löffelspatel

Typ 1: Standard

Typ 2: Mikro

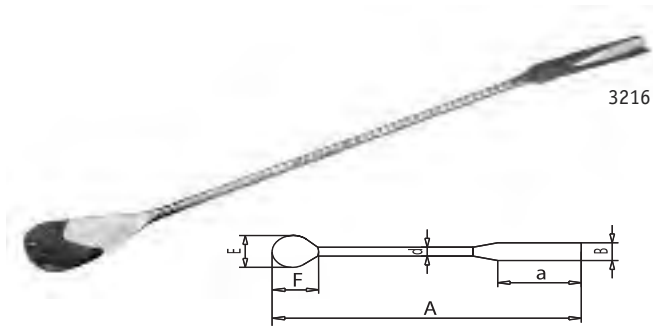
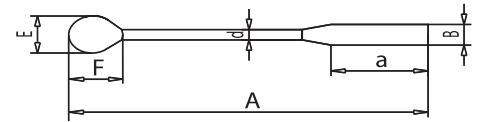
### Double spatulas, spoon shape

Type 1: standard

Type 2: micro

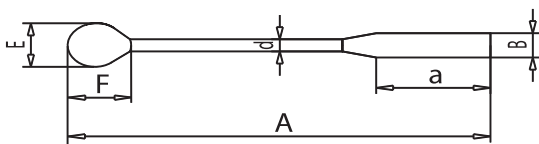
Material	A	d	F x E	Typ	Artikel Nr.
18/10-Stahl	180	3,0	25 x 8	1	3213
18/10-Stahl	210	4,0	25 x 12	1	3214
18/10-Stahl	230	4,0	25 x 12	1	3215
18/10-Stahl	130	2,0	10 x 5	2	3210
18/10-Stahl	185	2,0	10 x 5	2	3211
18/10-Stahl	210	2,0	12 x 5	2	3212
PTFE Coating	180	3,0	25 x 8	1	3720
PTFE Coating	210	4,0	25 x 12	1	3721
PTFE Coating	230	4,0	25 x 12	1	3722

PTFE = Polytetrafluorethylen/polytetrafluorethylene



### Löffelspatel, Typ Analyse Spoon spatulas, type analyse

Material	A	d	F x E	Artikel Nr.
18/10-Stahl	235	4,0	25 x 18	3216



## Mikrolöffel-Spatel

Typ 1: Löffelform

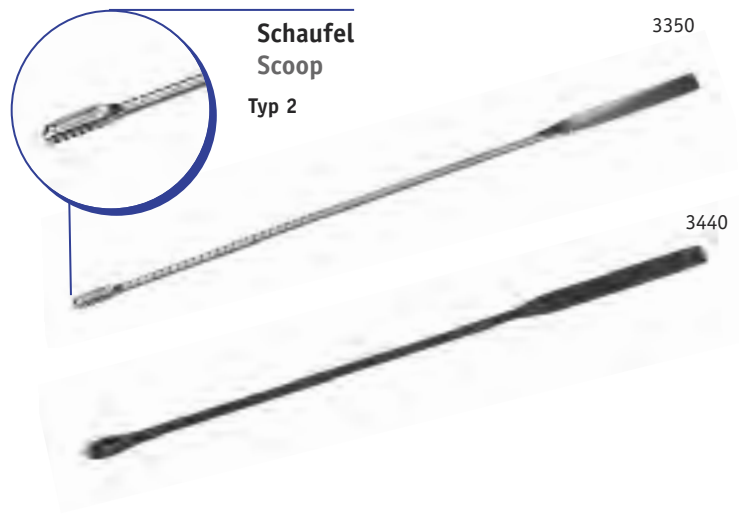
Typ 2: Schaufelform

### Micro spoon spatulas

Type 1: spoon shape

Type 2: scoop shape

Material	A	a	B	d	F x E	Typ	Artikel Nr.
18/10-Stahl	150	40	5	2,5	9 x 5	1	3340
18/10-Stahl	180	40	5	2,5	9 x 5	1	3341
18/10-Stahl	150	40	5	2	7 x 5	1	3342
18/10-Stahl	150	45	5	1,5	6 x 4	1	3343
18/10-Stahl	150	45	5	1,5	5 x 3	1	3344
18/10-Stahl	200	45	5	2,5	9 x 5	1	3345
18/10-Stahl	150	40	5	2	9 x 5	2	3350
18/10-Stahl	180	40	5	2	9 x 5	2	3351
Carbon coating	150	40	5	2,5	9x5	1	3440



**NEW!**