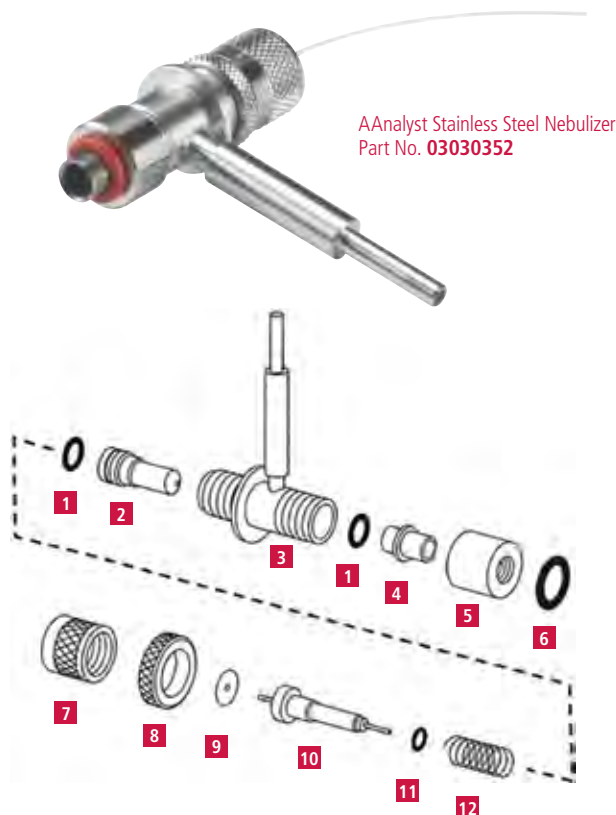


## Metal Body Nebulizer Parts for AAnalyst 200/400\*, 100/300/700/800\*\*,

For Nebulizers with Part Nos. **03030404**, **03030299** and **03030352**

Description	Part No.
<b>1</b> O-Ring for Insert/Venturi (Each nebulizer requires a quantity of 2)	<b>09902005</b>
Solvent Resistant O-Rings for Insert/Venturi (Each nebulizer requires a quantity of 2)	<b>09200273</b>
<b>2</b> Insert	<b>03031812</b>
<b>3</b> Nebulizer Body	<b>03030353</b>
<b>4</b> Venturi for Corrosion Resistant Nebulizer	<b>03031920</b>
Venturi for Platinum Alloy Nebulizer	<b>03033124</b>
Venturi for Stainless Steel Nebulizer	<b>03031810</b>
<b>5</b> Front End Cap	<b>03031808</b>
<b>6</b> O-Ring for Front End Cap	<b>09902239</b>
Solvent Resistant O-Ring for Front End Cap	<b>09200274</b>
<b>7</b> Fine Adjustment Nut	<b>03031460</b>
<b>8</b> Locking Ring	<b>03031456</b>
<b>9</b> Washer	<b>03031802</b>
<b>10</b> Capillary Assembly for Corrosion Resistant Nebulizer	<b>03030402</b>
Capillary Assembly for Platinum Alloy Nebulizer	<b>03030433</b>
Capillary Assembly for Stainless Steel Nebulizer	<b>03030354</b>
<b>11</b> O-Ring for Capillary Assembly	<b>09902102</b>
Solvent Resistant O-Ring for Capillary Assembly	<b>09200271</b>
<b>12</b> Spring	<b>03031806</b>
N/A O-Ring Kit (Includes 5 x <b>09902005</b> , 3 x <b>09902102</b> , 5 x <b>09902239</b> , 2 x <b>03031802</b> )	<b>N9300065</b>
N/A Solvent Resistant O-Ring Kit (Includes 1 x <b>09200271</b> , 2 x <b>09200273</b> and 1 x <b>09200274</b> )	<b>N2010247</b>

\* AAnalyst 200/400 Require End Cap **00570984** \*\* For AAnalyst spectrometers shipped starting Fall 1999



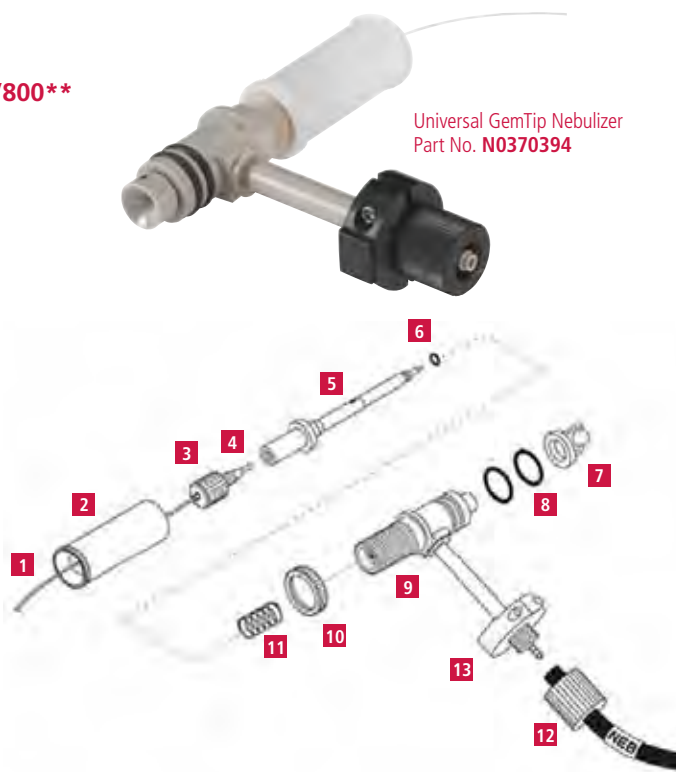
AAnalyst Stainless Steel Nebulizer  
Part No. **03030352**

## GemTip Nebulizers for AAnalyst 100/300/200\*/400\*/700\*\*/800\*\*

For Nebulizers with Part Nos. **N0370394** and **N0370393**

Description	Part No.
<b>1</b> Capillary Tubing	<b>09908265</b>
<b>2</b> Fine Adjustment Nut	<b>N0371492</b>
<b>3</b> Gland Nut	<b>N0371505</b>
<b>4</b> PTFE Tubing	<b>09985708</b>
<b>5</b> Capillary Assembly for Universal GemTip Nebulizers	<b>N0371520</b>
Capillary Assembly for High-Sensitivity GemTip Nebulizers	<b>N0371522</b>
<b>6</b> O-Ring for Capillary Assembly	<b>09926083</b>
<b>7</b> Impact Bead for High-Sensitivity GemTip Nebulizer	<b>B0505086</b>
<b>8</b> O-Ring for Nebulizer Body	<b>09902015</b>
Solvent Resistant O-Ring for Nebulizer Body	<b>B0174378</b>
<b>9</b> Body Assembly for Universal GemTip Nebulizer	<b>N0370398</b>
Body Assembly for High-Sensitivity Nebulizer	<b>N0370399</b>
<b>10</b> Locking Nut	<b>N0371493</b>
<b>11</b> Spring	<b>09902473</b>
<b>12</b> Connector Nut	<b>N0371485</b>
<b>13</b> Magnet Holder Assembly	<b>N1010215</b>

\* AAnalyst 200/400 Require End Cap **N0370392** \*\* For AAnalyst 700/800 Instruments Shipped before Fall 1999



Universal GemTip Nebulizer  
Part No. **N0370394**