

# GemClean Nebulizer

## GemClean Cross-Flow II Nebulizer

Complete chemically inert Cross-Flow II nebulizer assembly specially processed to reduce BEC levels below 1 ppb. Contains an end cap with a GemTip clear sapphire sample tip and a GemTip red ruby argon tip optimized for ICP-MS.



Description	Part No.
GemClean Cross-Flow II Nebulizer	<b>N8120516</b>

## Cross-Flow Replacement GemTips and Spares

Includes a clear sapphire sample tip and a red ruby argon tip optimized for ICP-MS. Tips are constructed of PEEK for maximum corrosion resistance.

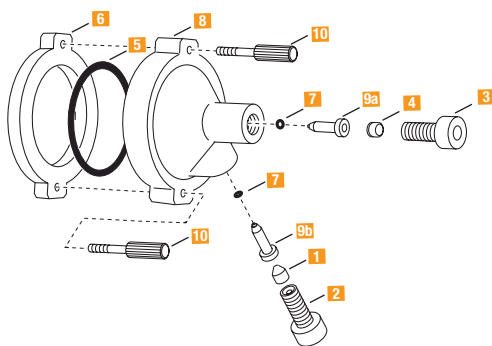


Description	Part No.
Cross-Flow II Replacement GemTips	<b>N8120515</b>
Cross-Flow II Nebulizer Argon Ferrule	<b>09920515</b>
Cross-Flow II Nebulizer Ferrule Kit*	<b>N0680612</b>
Cross-Flow II Nebulizer End Cap	<b>N8122239</b>
Cross-Flow II Nebulizer Sample Ferrule	<b>09920518</b>
GemTip II O-Ring	<b>09921045</b>
End Cap O-Ring	<b>09902033</b>
Sample Tubing	<b>09985708</b>
Argon Tubing	<b>09985723</b>

\*Includes **09920515** and **09920518**

## GemClean Cross-Flow II Nebulizer Replacement Parts

Description	Part No.
<b>1</b> Sample Ferrule – TBG 1/16 Tefzel	<b>09920518</b>
<b>2</b> Nut – TBG PEEK	<b>09920516</b>
<b>3</b> Nut	<b>09920517</b>
<b>4</b> Argon Ferrule – TBG 1/8 Tefzel	<b>09920515</b>
<b>5</b> O-Ring, 18W, 1 3/8 ID, 1 5/8 OD	<b>09902033</b>
<b>6</b> Ring	<b>00473543</b>
<b>7</b> O-Rings (2) 0.126 ID, 0.040 WD, Viton	<b>09921045</b>
<b>8</b> End Cap Cross-Flow II Nebulizer	<b>N8122239</b>
<b>9</b> GemTip Kit for Cross-Flow II Nebulizer (Contains one each: Argon and Sample tip)	<b>N8120515</b>
<b>9a</b> Red Ruby Nebulizer, Argon Tip	
<b>9b</b> Clear Nebulizer Sample Tip	
<b>10</b> Screws (2) – Knurled	<b>00473539</b>



# Nebulizer Cleaners



## The Eluo™ Nebulizer Cleaner

The Eluo is designated to efficiently deliver a cleanser through the nebulizer capillary to dislodge particle build-up and thoroughly clean the nebulizer.

Description	Part No.
For Newer OpalMist, PolyCon, DuraMist, MEINHARD, Other Glass Nebulizers	<b>N0777712</b>
For OLD Style OpalMist or PolyCon Nebulizers	<b>N0775358</b>



## PFA Nebulizer Obstruction Removal Kit

Obstruction Removal Kit while naturally resistant to obstructions, PFA nebulizers may occasionally require maintenance. Use this kit to safely remove obstructions in all PFA-ST nebulizers for long-term high performance.

Description	Part No.
Nebulizer Obstruction Removal Kit	<b>N8145236</b>



## Syringe Flush Kit

Use syringe and white adapter to back-flush the carrier line or tee-line. Use syringe and red adapter to forward flush the carrier line, the side port of the tee-line and to forward flush the PFA nebulizer.

Description	Part No.
Syringe Flush Kit Includes 3 mL syringe, two luer to 1/4-28 adapters	<b>N8121035</b>

## pergo Argon Nebulizer

The pergo improves performance of all concentric nebulizers for the routine analysis of brines, fusion digests and other high-TDS samples.



ICP-MS Model	Description	Part No.
ELAN/NexION	without Nebulizer	<b>N8145315</b>
ELAN/NexION	with MEINHARD Type A Nebulizer	<b>N8145315</b>
ELAN/NexION	Pero 2 without Nebulizer	<b>N8140743</b>